

MARUNAKA

POWER REAPER

F-4/40/43

F-5/50/53

BODY

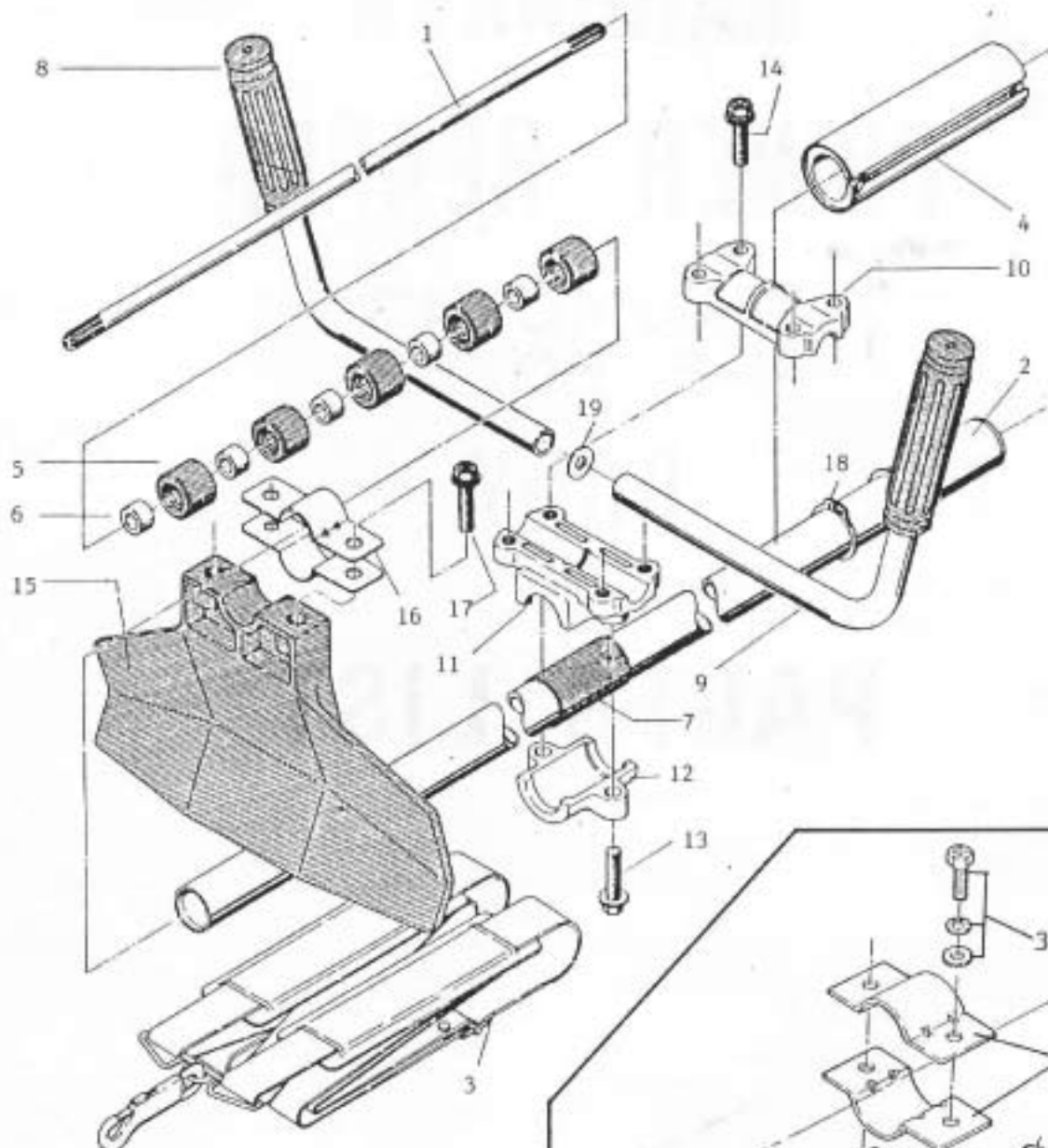
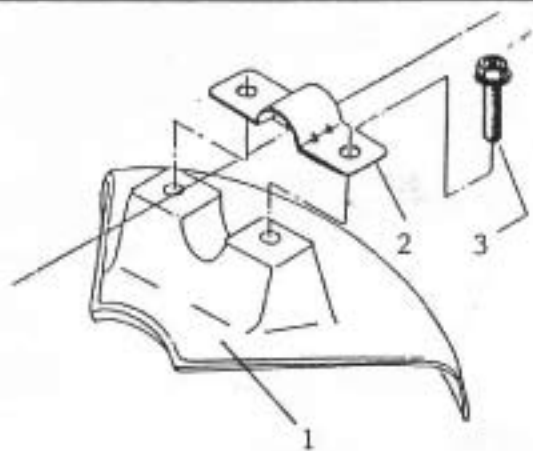
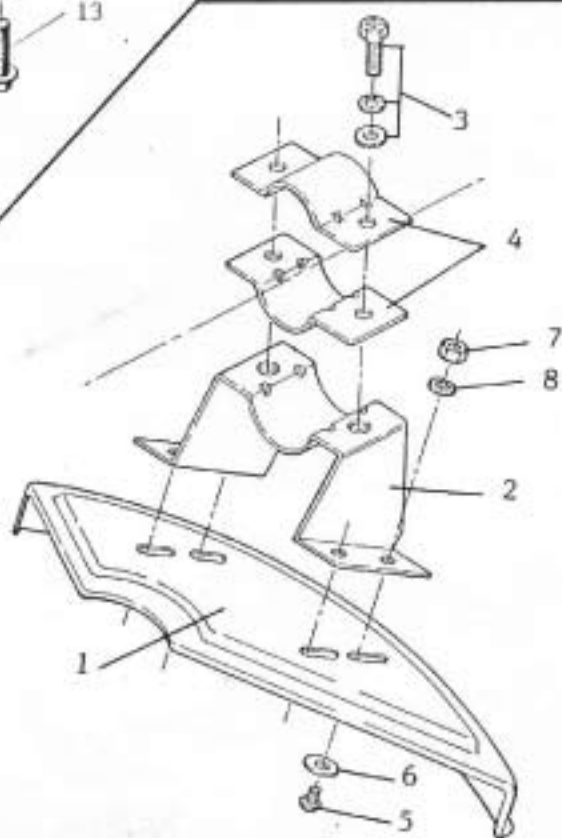
PARTS LIST

MARUNAKA, LTD.

ADDRESS : 11, MUKAIDA NISHIMACHI, KISSHOIN, MINAMIKU, KYOTO, 601, JAPAN.

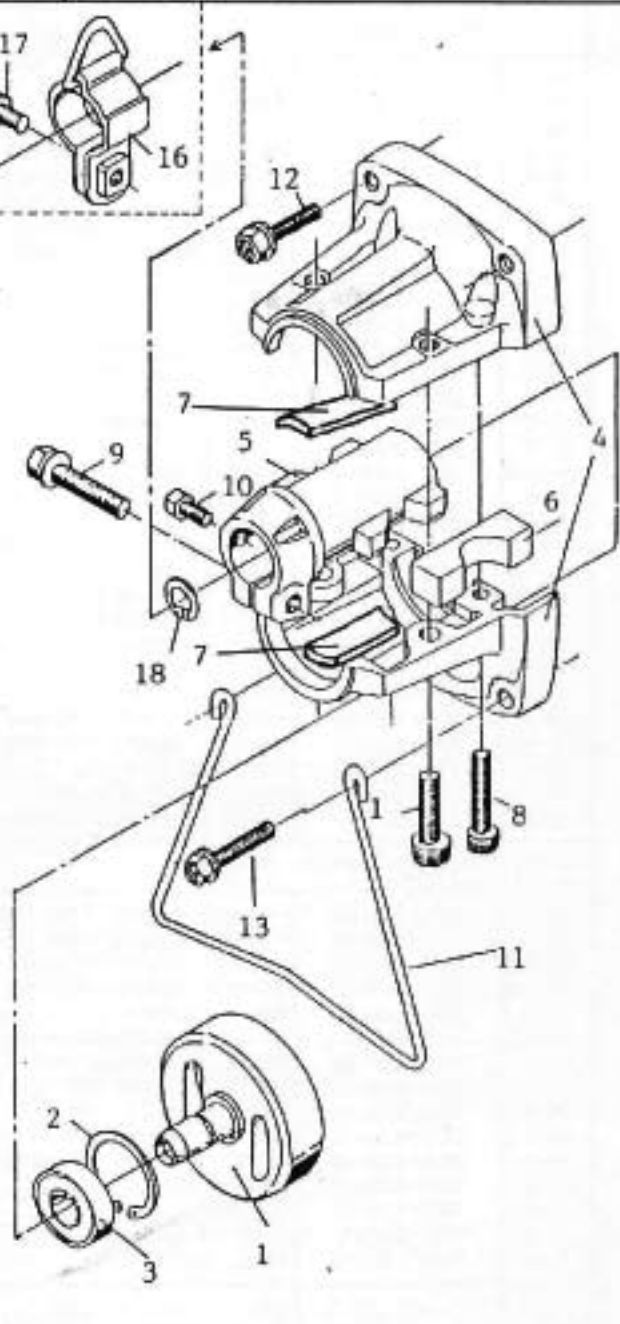
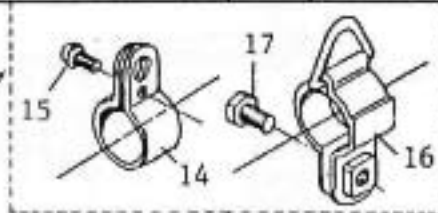
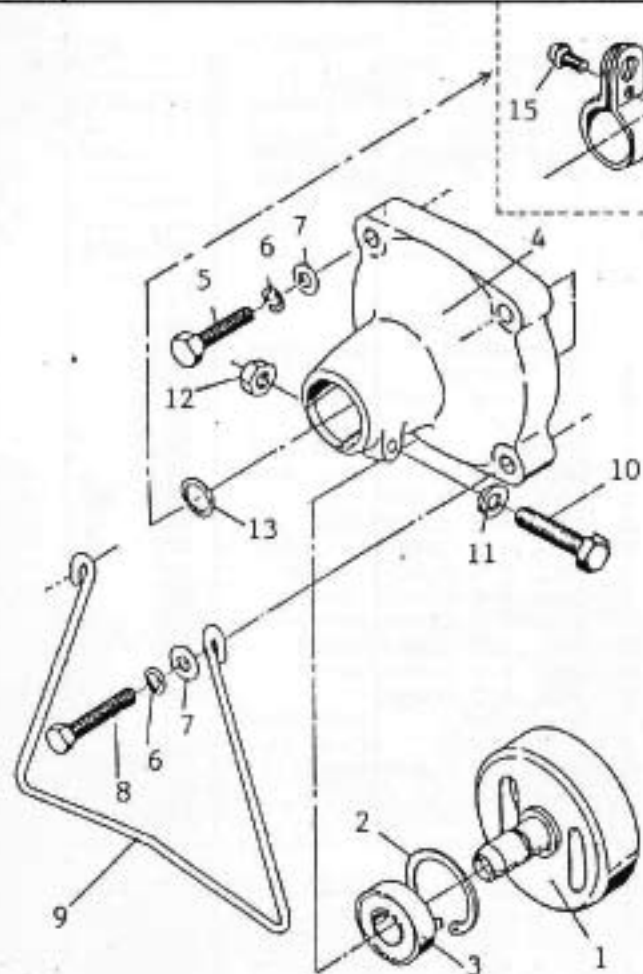
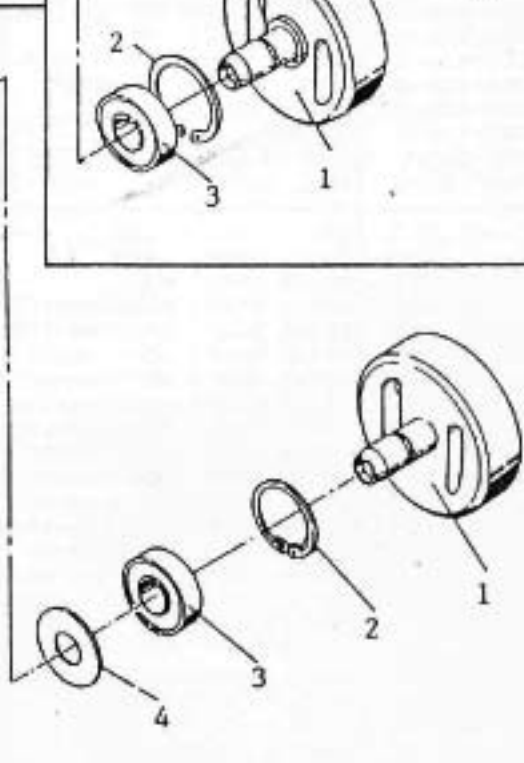
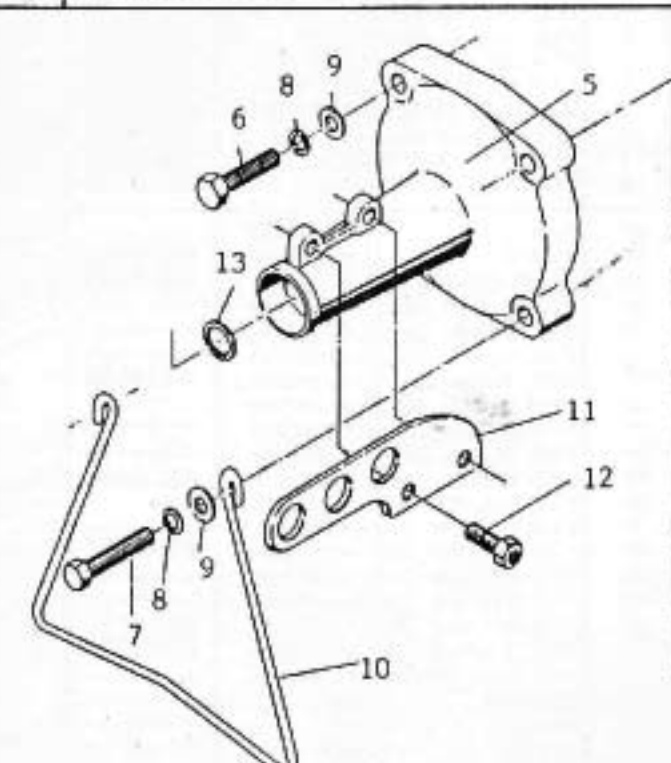
TELEX : 5423339 MARNAK J. CABLE ADDRESS : MARUNAKA, KYOTO

PHONE : (075) 321-1901 (075) 321-1669 FAX : (075) 313-4966

A**DRIVE SHAFT****B****F-TYPE SAFETY GUARD****C****F-TYPE SAFETY GUARD**

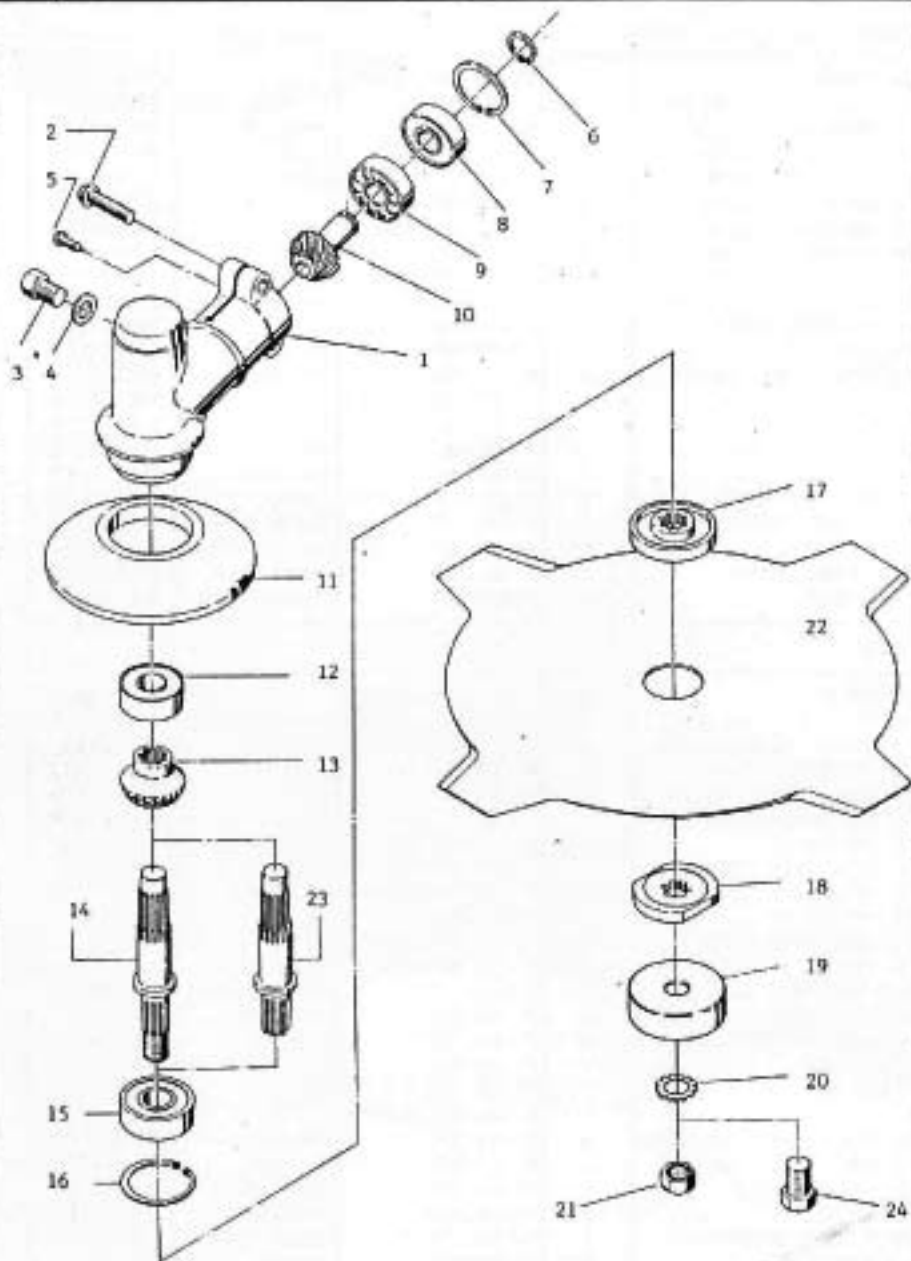
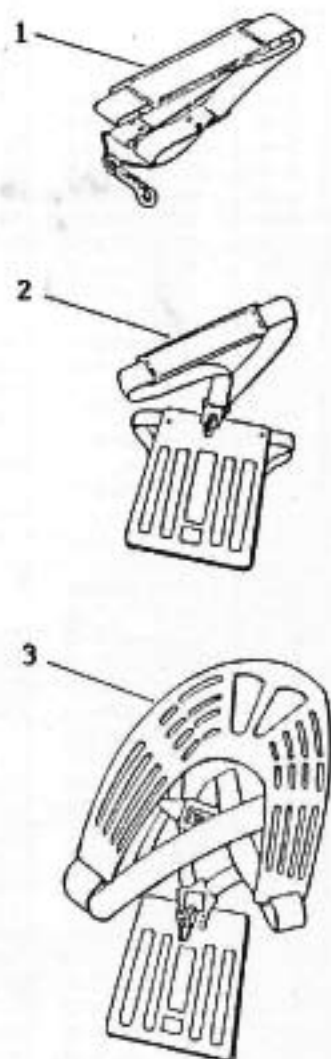
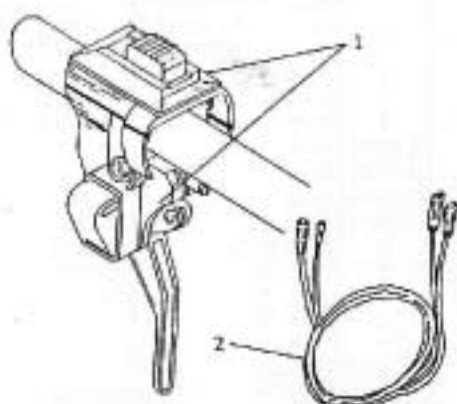
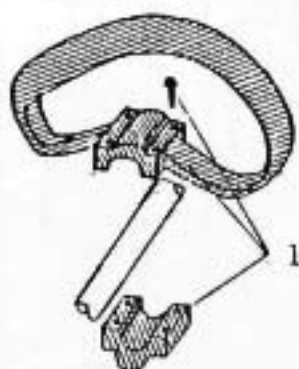
F-4/40/43
F-5/50/53 **BODY PARTS LIST**

REF	CODE	NAME	QTY	MODEL	REMARKS	CODICE
A : DRIVE SHAFT						
A-1	203-101-0	DRIVE SHAFT	1	F-4/5	L=1364MM	-----
A-1	203-101-3	DRIVE SHAFT	1	F-40/50/43/53	L=1484MM	8810005
A-2	203-102-0	DRIVE SHAFT HOUSING	1	F-4 BLACK 26	L=1353MM	-----
A-2	203-102-2	DRIVE SHAFT HOUSING	1	F40 BLACK 26	L=1451MM	-----
A-2	203-102-3	DRIVE SHAFT HOUSING	1	F43 BLACK 26	L=1446MM	-----
A-2	204-100-0	DRIVE SHAFT HOUSING	1	F-5 BLACK 28	L=1353MM	-----
A-2	204-100-2	DRIVE SHAFT HOUSING	1	F50 BLACK 28	L=1451MM	-----
A-2	204-100-3	DRIVE SHAFT HOUSING	1	F53 BLACK 28	L=1446MM	8810006
A-3	222-010-0	HANGING STRAP	1	F-4/5		-----
A-3	222-010-2	HANGING STRAP(W/SPRING)	1	F-40/50/43/53		8810015
A-4	222-011-0	CUSHION	1	ALL 4/5 CLASS		8810016
A-5	203-105-0	METAL CUSHION	5	F-4/40/43	26MM DIA	8810438
A-5	204-120-0	METAL CUSHION	5	F-5/50/53	28MM DIA	8810017
A-6	203-106-0	OIL METAL	5	ALL 4/5 CLASS		8810018
A-7	203-107-0	HANDLE DAMPER	1	F-4/40/43	26MM DIA	8810059
A-7	204-103-0	HANDLE DAMPER	1	F-5/50/53	28MM DIA	8810019
A-8A	203-108-0	HANDLE ASSY	1	ALL 4/5 CLASS	INC. A8-P	8810034
A-8	203-109-0	HANDLE	2	ALL 4/5 CLASS		8810020
A-9	201-116-0	HANDLE GRIP	2	ALL 4/5 CLASS		8810021
A-10A	203-110-0	H. HOLDER ASSY SILVER	1	ALL 4/5 CLASS	INC. A10-14	8810083
A-10	201-117-0	HANDLE HOLDER (A)	1	ALL 4/5 CLASS	SILVER	8810022
A-11	201-118-0	HANDLE HOLDER (B)	1	ALL 4/5 CLASS	SILVER	8810023
A-12	201-119-0	HANDLE HOLDER (C)	1	ALL 4/5 CLASS	SILVER	8810024
A-13	001-809-0	BOLT (6X25)	2	ALL 4/5 CLASS	N6X25	8810025
A-14	001-809-0	BOLT (6X25)	4	ALL 4/5 CLASS	N6X25	8810025
A-15	201-108-0	SAFETY GUARD	1	ALL 4/5 CLASS		-----
A-16	203-111-0	SAFETY GUARD HOLDER	2	F-4/40/43	26MM DIA	-----
A-16	204-104-0	SAFETY GUARD HOLDER	2	F-5/50/53	28MM DIA	-----
A-17	001-809-0	BOLT (6X25)	2	ALL 4/5 CLASS	N6X25	8810025
A-18	008-042-0	STOP RING (E) RH37	1	F-4/5	RB37	8810069
A-19	003-223-0	HANDLE WASHER (H8)	1	ALL 4/5 CLASS	H8	8810070
B-C: F-TYPE SAFETY GUARD						
B-1	201-108-3	F-TYPE PROTECTOR BODY	1	F-4/40/43	26MM DIA	8810448
B-1	201-108-4	F-TYPE PROTECTOR BODY	1	F-5/50/53	28MM DIA	8810027
B-2	203-111-0	SAFETY GUARD HOLDER	1	F-4/40/43	26MM DIA	8810446
B-2	204-104-0	SAFETY GUARD HOLDER	1	F-5/50/53	28MM DIA	8810028
B-3	001-806-0	BOLT (6X20)	2	ALL 4/5 CLASS	N6X20	8810447
C-1	MA2-101-0	METAL F-PROTECTOR	1	ALL 4/5 CLASS	OPTION RED	8810061
C-2	MA2-102-0	METAL PROTECTOR CATCHER	1	ALL 4/5 CLASS	OPTION RED	8810062
C-3	001-806-0	BOLT (6X20)	2	ALL 4/5 CLASS	N6X20	8810447
C-4	203-111-0	SAFETY GUARD HOLDER	2	F-4/40/43	26MM DIA	8810446
C-4	204-104-0	SAFETY GUARD HOLDER	2	F-5/50/53	28MM DIA	8810028
C-5	MA2-103-0	SCREW (5X10)	4	ALL 4/5 CLASS	PH4 +M5X10	8810063
C-6	MA2-104-0	WASHER	4	ALL 4/5 CLASS	H5	8810064
C-7	MA2-105-0	SPRING WASHER	4	ALL 4/5 CLASS	H5	8810065
C-8	MA2-106-0	HEX. NUT	4	ALL 4/5 CLASS	H5	8810066
A-1	203-101-010L	DRIVE SHAFT +100	OP	F-4/5	L=1484MM	-----
A-1	203-101-015L	DRIVE SHAFT +150	OP	F-4/5	L=1534MM	8810095
A-1	203-101-305L	DRIVE SHAFT +50	OP	F-40/50/43/53	L=1534MM	8810095
A-2	203-102-010L	DRIVE SHAFT HOUSING+100	OP	F-4 BLACK 26	L=1453MM	-----
A-2	203-102-015L	DRIVE SHAFT HOUSING+150	OP	F-4 BLACK 26	L=1503MM	-----
A-2	203-102-205L	DRIVE SHAFT HOUSING+50	OP	F40 BLACK 26	L=1501MM	-----
A-2	203-102-305L	DRIVE SHAFT HOUSING+50	OP	F43 BLACK 26	L=1496MM	8810058
A-2	204-100-010L	DRIVE SHAFT HOUSING+100	OP	F-5 BLACK 28	L=1453MM	-----
A-2	204-100-015L	DRIVE SHAFT HOUSING+150	OP	F-5 BLACK 28	L=1503MM	-----
A-2	204-100-205L	DRIVE SHAFT HOUSING+50	OP	F50 BLACK 28	L=1501MM	-----
A-2	204-100-305L	DRIVE SHAFT HOUSING+50	OP	F53 BLACK 28	L=1496MM	8810096
A-2	203-102-010LS	DRIVE SHAFT HOUSING+100	OP	F-4 SILVER 26	L=1453MM	-----
A-2	203-102-015LS	DRIVE SHAFT HOUSING+150	OP	F-4 SILVER 26	L=1503MM	-----
A-2	203-102-205LS	DRIVE SHAFT HOUSING+50	OP	F40 SILVER 26	L=1501MM	8810057
A-2	203-102-305LS	DRIVE SHAFT HOUSING+50	OP	F43 SILVER 26	L=1496MM	-----
A-2	204-100-010LS	DRIVE SHAFT HOUSING+100	OP	F-5 SILVER 28	L=1453MM	-----
A-2	204-100-015LS	DRIVE SHAFT HOUSING+150	OP	F-5 SILVER 28	L=1503MM	-----
A-2	204-100-205LS	DRIVE SHAFT HOUSING+50	OP	F50 SILVER 28	L=1501MM	8810112
A-2	204-100-305LS	DRIVE SHAFT HOUSING+50	OP	F53 SILVER 28	L=1496MM	8810056
	203-110-OR	HANDLE HOLDER ASSY	OP	OPTION	RED	-----
	201-117-OR	HANDLE HOLDER (A)	OP	OPTION	RED	-----
	201-118-OR	HANDLE HOLDER (B)	OP	OPTION	RED	-----
	201-119-OR	HANDLE HOLDER (C)	OP	OPTION	RED	-----

D**F-40/50 CLUTCH HOUSING****E****F-43/53 CLUTCH HOUSING****F****F-4/5 CLUTCH HOUSING**

F-4/40/43 F-5/50/53 BODY PARTS LIST

REF	CODE	NAME	QTY	MODEL	REMARKS	CODICE
D : F-40/50 CLUTCH HOUSING						
D-1	203-100-0	CLUTCH DRUM	1	ALL 4/5 CLASS		8810001
D-2	008-319-0	STOP RING (A) C-H #32	1	ALL 4/5 CLASS	C-HOLE #32	8810002
D-3	004-601-0	CLUTCH BEARING #600222	1	ALL 4/5 CLASS	#600222	8810003
D-4	203-103-1	CLUTCH HOUSING 26MM	1	F-40	RED	-----
D-4	204-101-2	CLUTCH HOUSING 28MM	1	F-50	RED	-----
D-4	203-103-1S	CLUTCH HOUSING 26MM	1(OP)	F-40 OPTION	SILVER	8810045
D-4	203-103-1S	CLUTCH HOUSING 28MM	1(OP)	F-50 OPTION	SILVER	8810071
D-4	203-103-1B	CLUTCH HOUSING 26MM	1(OP)	F-40 OPTION	BLUE	-----
D-4	203-103-1B	CLUTCH HOUSING 28MM	1(OP)	F-50 OPTION	BLUE	-----
D-5	001-063-0	ENGINE BOLT (A) (6X30)	2	F-40/50	M6X30	8810430
D-6	003-272-0	SPRING WASHER (M6)	4	F-40/50	M6	8810072
D-7	003-222-0	WASHER (M6)	4	F-40/50	M6	8810073
D-8	001-066-0	ENGINE BOLT (B) (6X35)	2	F-40/50	M6X35	8810074
D-9	203-104-2	STAND	1	F-40/43/50/53		8810014
D-10	001-814-0	BOLT (6X40)	1	F-40/50	M6X40	8810076
D-11	003-282-0	SPRING WASHER (M6)	1	F-40/50	M6	8810072
D-12	003-002-0	NUT (M6)	1	F-40/50	M6 HEX	8810113
D-13	008-061-0	STOP RING (B) S#15	1	ALL 4/5 CLASS	S#15	8810068
D-14	201-107-2	HANGER STRAP STEM	1	F-40/43	26MM DIA	8810077
D-15	002-005-0	SCREW (6X20)	1	F-40/43	M6X20 PAN	8810214
D-16	201-107-3	HANGER STRAP STEM	1	F-50/53	28MM DIA	8810078
D-17	002-442-0	SCREW (6X12)	1	F-50/53	M6X12 PAN	8810217
E : F-43/53 CLUTCH HOUSING						
E-1	203-100-0	CLUTCH DRUM	1	ALL 4/5 CLASS		8810001
E-2	008-319-0	STOP RING (A) C-H #32	1	ALL 4/5 CLASS	C-HOLE #32	8810002
E-3	004-601-0	CLUTCH BEARING #600222	1	ALL 4/5 CLASS	#600222	8810003
E-4	203-103-2	CLUTCH HOUSING	1	F-43/53	RED	8810007
E-5	203-190-0	CLUTCH HOUSING CORE 26	1	F-43	RED	8810079
E-5	204-190-0	CLUTCH HOUSING CORE 28	1	F-53	RED	8810008
E-4	203-103-2S	CLUTCH HOUSING	1(OP)	F-43/53 OP	SILVER	-----
E-5	203-190-0S	CLUTCH HOUSING CORE 26	1(OP)	F-43 OPTION	SILVER	-----
E-5	204-190-0S	CLUTCH HOUSING CORE 28	1(OP)	F-53 OPTION	SILVER	-----
E-4	203-103-2B	CLUTCH HOUSING	1(OP)	F-43/53 OP	BLUE	-----
E-5	203-190-0B	CLUTCH HOUSING CORE 26	1(OP)	F-43 OPTION	BLUE	-----
E-5	204-190-0B	CLUTCH HOUSING CORE 28	1(OP)	F-53 OPTION	BLUE	-----
E-6	203-191-0	HOUSING DAMPER (L)(R)	1	F-43/53	LEFT-RIGHT	8810009
E-7	203-191-A	HOUSING DAMPER (U)(D)	2	F-43/53	UP-DOWN	8810084
E-8	001-654-1	HEX. SOCKET HEAD BOLT	2	F-43/53	M5X30	8810011
E-9	001-812-0	BOLT (6X30)	1	F-43/53	M6X30	8810012
E-10	201-127-1	BOLT (5X12)	1	F-43/53	M5X12	8810013
E-11	203-104-2	STAND	1	F-40/43/50/53		8810014
E-12	001-809-0	ENGINE BOLT (A) (6X25)	2	F-43/53	M6X25	8810025
E-13	001-812-0	ENGINE BOLT (B) (6X30)	2	F-43/53	M6X30	8810012
E-14	201-107-2	HANGER STRAP STEM	1	F-40/43	26MM DIA	8810077
E-15	002-005-0	SCREW (6X20)	1	F-40/43	M6X20 PAN	8810214
E-16	201-107-3	HANGER STRAP STEM	1	F-50/53	28MM DIA	8810078
E-17	002-442-0	SCREW (6X12)	1	F-50/53	M6X12 PAN	8810217
E-18	008-061-0	STOP RING (B) S#15	1	ALL 4/5 CLASS	S#15	8810068
E-19	001-605-1	HEX. SOCKET HEAD BOLT	2	F-43/53	M6X25	8810010
F : F-4/5 CLUTCH HOUSING						
F-1	203-100-0	CLUTCH DRUM	1	ALL 4/5 CLASS		8810001
F-2	008-319-0	STOP RING (A) C-H #32	1	ALL 4/5 CLASS	C-HOLE #32	8810002
F-3	004-601-0	CLUTCH BEARING #600222	1	ALL 4/5 CLASS	#600222	8810003
F-4	201-101-0	BEARING WASHER	1	F-4/5		8810204
F-5	203-103-0	CLUTCH HOUSING 26MM	1	F-4	SILVER	-----
F-5	204-101-0	CLUTCH HOUSING 28MM	1	F-5	SILVER	8810053
F-5	203-103-0R	CLUTCH HOUSING 26MM	1(OP)	F-4	RED	-----
F-5	204-101-0R	CLUTCH HOUSING 28MM	1(OP)	F-5	RED	-----
F-5	203-103-0B	CLUTCH HOUSING 26MM	1(OP)	F-4	BLUE	-----
F-5	204-101-0B	CLUTCH HOUSING 28MM	1(OP)	F-5	BLUE	-----
F-6	001-063-0	ENGINE BOLT (A) (6X30)	2	F-4/5	M6X30	8810430
F-7	001-066-0	ENGINE BOLT (B) (6X35)	2	F-4/5	M6X35	8810074
F-8	003-272-0	SPRING WASHER (M6)	4	F-4/5	M6	8810072
F-9	003-222-0	WASHER (M6)	4	F-4/5	M6	8810073
F-10	203-104-0	STAND	1	F-4/5		8810054
F-11	222-009-0	HANGER STRAP STEM	1	F-4/5		8810055
F-12	001-703-0	BOLT (6X14)	2	F-4/5	M6X14	8810217
F-13	008-061-0	STOP RING (B) S#15	1	ALL 4/5 CLASS	S#15	8810068

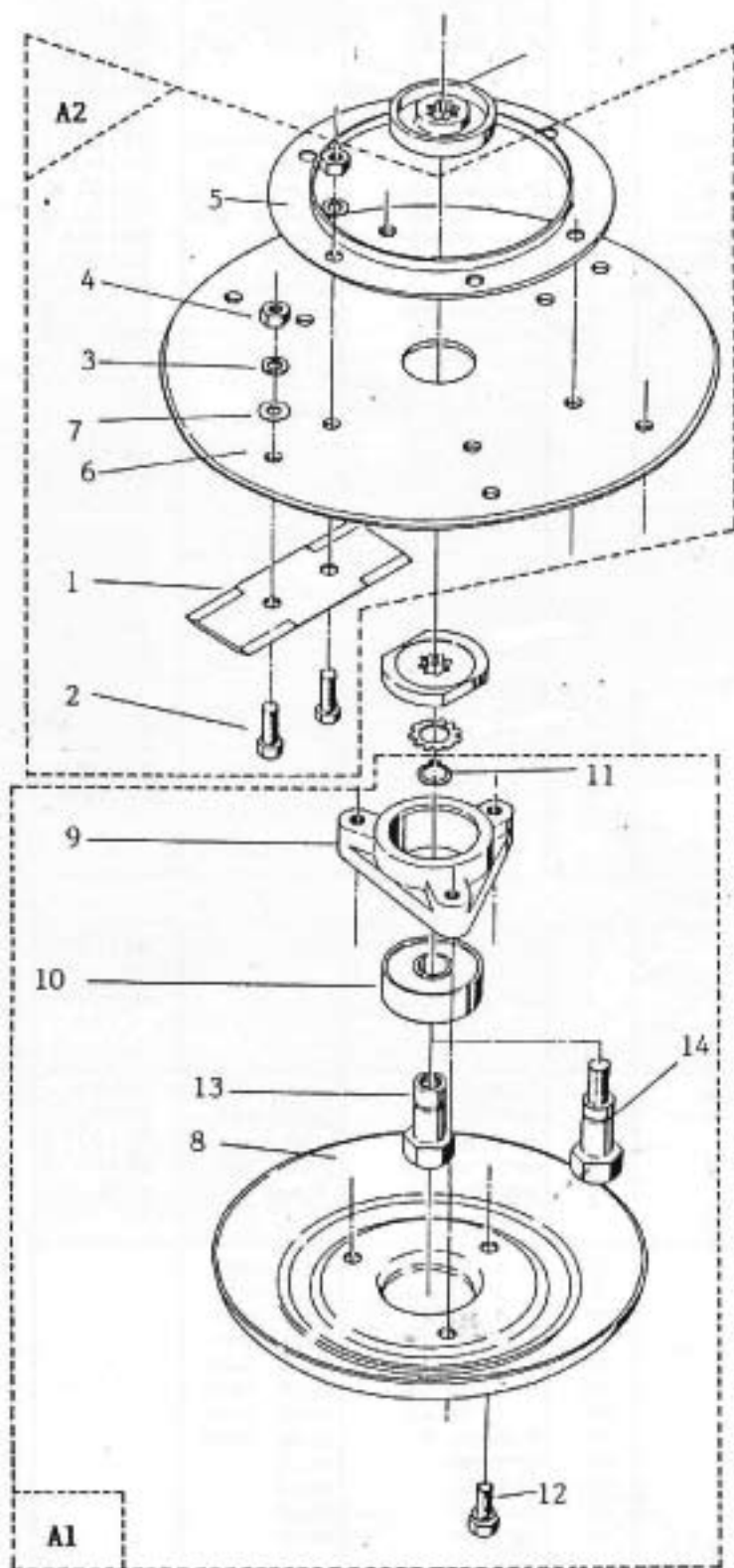
G GEAR CASE**H** HARNESS**I** TRIGGER LEVER**J** LOOP HANDLE

F-4/40/43 F-5/50/53 **BODY PARTS LIST**

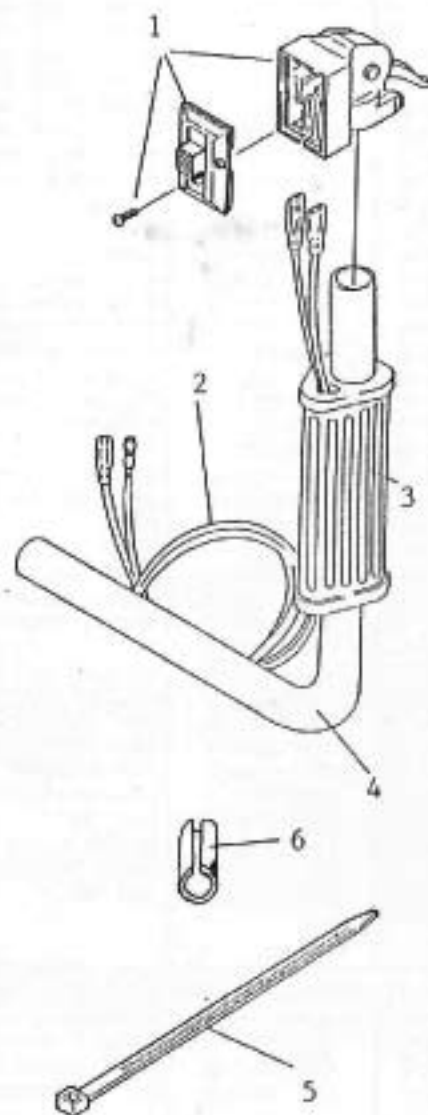
REF	CODE	NAME	QTY	MODEL	REMARKS	CODICE
G : GEAR CASE						
G-1A	203-112-0	GEAR CASE ASS'Y	1	F-4/40/43	SILVER 28	8810444
G-1A	204-105-0	GEAR CASE ASS'Y	1	F-5/50/53	SILVER 28	8810092
G-1	203-113-0	GEAR CASE ONLY	1	F-4/40/43	SILVER 28	8810460
G-1	204-106-0	GEAR CASE ONLY	1	F-5/50/53	SILVER 28	8810030
G-2	001-801-0	GEAR CASE BOLT	2	F-4/40/43	M5X25	8810461
G-2	001-709-0	GEAR CASE BOLT	2	F-5/50/53	M6X25 TAP.	8810031
G-3	001-100-0	OIL HOLE BOLT	1	ALL 4/5 CLASS		8810032
G-4	003-602-0	OIL HOLE PACKING	1	ALL 4/5 CLASS		8810033
G-5	201-127-0	SCREW	1	ALL 4/5 CLASS	TAP.	8810210
G-6	008-201-0	STOP RING (C) C-S #10	1	F-4/40/43	C-SHAFT#10	8810246
G-6	008-203-0	STOP RING (C) C-S #12	1	F-5/50/53	C-SHAFT#12	8810035
G-7	008-316-0	STOP RING (D) C-H #26	1	F-4/40/43	C-HOLE #26	8810247
G-7	008-317-0	STOP RING (D) C-H #28	1	F-5/50/53	C-HOLE #28	8810036
G-8	004-550-0	PINION BEARING(A)#60002	1	F-4/40/43	#60002	8810467
G-8	004-513-0	PINION BEARING(A) #6001	1	F-5/50/53	#6001	8810037
G-9	004-502-0	PINION BEARING(B) #6000	1	F-4/40/43	#6000	8810041
G-9	004-551-0	PINION BEARING(B)#60012	1	F-5/50/53	#60012	8810038
G-10	222-028-0	PINION	1	F-4/40/43		8810469
G-10	204-107-0	PINION	1	F-5/50/53		8810039
G-11	201-124-0	GRASS PROTECTOR (A)	1	ALL 4/5 CLASS		8810040
G-12	004-502-0	GEAR BEARING (C) #6000	1	ALL 4/5 CLASS	#6000	8810041
G-13	222-030-0	GEAR	1	F-4/40/43		8810472
G-13	204-108-0	GEAR	1	F-5/50/53		8810042
G-14	222-031-0	GEAR SHAFT	1	F-4/40/43		8810473
G-15	004-701-0	SHAFT BEARING #6001LLU	1	F-4/40/43	#6001LLU	8810474
G-15	004-703-0	SHAFT BEARING #6002LLU	1	F-5/50/53	#6002LLU	8810044
G-16	008-317-0	STOP RING (F) C-H #28	1	ALL 4/5 CLASS	C-HOLE #28	8810036
G-17	222-032-0	HOLDER CUTTER	1	F-4/40/43		8810476
G-17	204-109-0	HOLDER CUTTER	1	F-5/50/53		8810046
G-18	222-033-0	CAP CUTTER	1	F-4/40/43		8810477
G-18	204-110-0	CAP CUTTER	1	F-5/50/53		8810047
G-19	222-034-0	CUP WASHER	1	ALL 4/5 CLASS		8810048
G-20	003-254-0	LOCK WASHER	1	ALL 4/5 CLASS		8810049
G-21	203-114-0	SAW NUT	1	F-4/40/43	LEFT	8810480
G-22	-----	BLADE	-	ALL		-----
G-23	204-111-0	GEAR SHAFT	1	F-5/50/53		8810080
G-24	204-112-0	SAW BOLT	1	F-5/50/53	LEFT	8810081
H-J: HARNESS, LOOP HANDLE & TRIGGER LEVER						
H-1	230-009-0	SINGLE HARNESS	1	OPTION	FOR F2/3	8810212
H-2	KYD-002-0	HOCK-HARNESS M/CUSHION	1	OPTION		-----
H-3	KYD-001-0	PRO-HARNESS	1	OPTION		2200070
I	E356-200-F4	TRIGGER LEVER ASS'Y	1	OPTION	[INC. H-1-2	-----
I-1	E356-200-26	TRIGGER LEVER	1	OPTION	26MM DIA.	8810102
I-2	E356-200-CD	CORD ASS'Y, SHAFT	1	OPTION	FOR SHAFT	8810273
J	TAI-100-0	LOOP HANDLE ASS'Y	1	OPTION	26MM DIA	8810450
I-1	E356-200-28	TRIGGER LEVER	1	F50/F53	28MM DIA.	8810101
	203-112-OR	GEAR CASE ASSY	OP	F-4/40/43	RED 26MM	
	203-105-OR	GEAR CASE ASSY	OP	F-5/50/53	RED 28MM	
	203-113-OR	GEAR CASE ONLY	OP	F-4/40/43	RED 26MM	
	203-106-OR	GEAR CASE ONLY	OP	F-5/50/53	RED 28MM	
	203-112-OB	GEAR CASE ASSY	OP	F-4/40/43	BLUE 26MM	
	203-105-OB	GEAR CASE ASSY	OP	F-5/50/53	BLUE 28MM	
	204-103-OB	GEAR CASE ONLY	OP	F-4/40/43	BLUE 26MM	
	204-106-OB	GEAR CASE ONLY	OP	F-5/50/53	BLUE 28MM	
	203-110-OB	HANDLE HOLDER ASSY	OP	OPTION	BLUE	
	201-117-OB	HANDLE HOLDER (A)	OP	OPTION	BLUE	
	201-118-OB	HANDLE HOLDER (B)	OP	OPTION	BLUE	
	201-119-OB	HANDLE HOLDER (C)	OP	OPTION	BLUE	

K

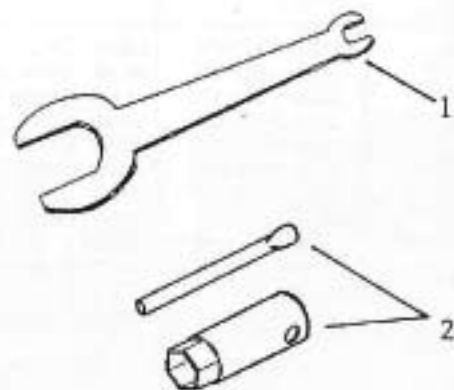
TRIMMING BLADE

**L**

TRIGGER LEVER

**M**

TOOL



F-4/40/43 F-5/50/53 BODY PARTS LIST

REF	CODE	NAME	QTY	MODEL	REMARKS	CODICE
K : TRIMMING BLADE						
K-A1	203-120-0	STABILIZER ASS'Y	1	F-4/40/43		8810492
K-A1	203-120-1	STABILIZER ASS'Y	1	F-5/50/53		8810094
K-A2	010-061-0	CUTTER BLADE DISK ASS'Y	1	ALL 4/5 CLASS		-----
K-1	010-063-0	TRIMMING BLADE	3	ALL 4/5 CLASS		-----
K-2	001-052-0	BOLT (6X12)	6	ALL 4/5 CLASS		-----
K-3	003-272-0	SPRING WASHER (M6)	6	ALL 4/5 CLASS		-----
K-4	003-002-0	NUT (M6)	6	ALL 4/5 CLASS		-----
K-5	203-115-0	GRASS PROTECTOR (B)	1	ALL 4/5 CLASS		-----
K-6	010-067-0	DISK	1	ALL 4/5 CLASS		-----
K-7	003-222-0	WASHER (M6)	3	ALL 4/5 CLASS		-----
K-8	203-117-0	STABILIZER	1	ALL 4/5 CLASS		8810097
K-9	203-118-0	STABILIZER CATCH	1	ALL 4/5 CLASS		8810105
K-10	004-606-0	BEARING #600322	1	ALL 4/5 CLASS		8810098
K-11	008-208-0	STOP RING C-SHAFT#17	1	ALL 4/5 CLASS		8810465
K-12	001-752-0	BOLT (6X12)	3	ALL 4/5 CLASS		8810087
K-13	203-116-0	STABILIZER SPECIAL NUT	1	F-4/40/43		8810490
K-14	204-113-0	STABILIZER SPECIAL BOLT	1	F-5/50/53		8810052
L : TRIGGER LEVER						
L-1	010-260-0	HANDLE TRIGGER LEVER	1	16MM DIA.		8810093
L-1	E356-200-19	HANDLE TRIGGER LEVER	1	19MM DIA.		8810089
L-2	088-205-0	CORD ASS'Y, HANDLE	1	ALL 4/5 CLASS	FOR HANDLE	8810082
L-3	201-116-1	HANDLE GRIP(R)	1	ALL 4/5 CLASS		8810043
L-4	203-109-1	HANDLE(R)	1	ALL 4/5 CLASS		8810029
L-5	008-037-0	BAND	1	ALL 4/5 CLASS		-----
L-6	E355-005-TH	OUTER GUIDE	1	OPTION		8810106
M : TOOL						
M-1	013-014-0	SPANNER (38X10)	1	ALL 4/5 CLASS		8810060
M-2	013-032-0	BOX SPANNER (19)	1	ALL 4/5 CLASS		2281019
OPTIONAL EXTRAS						
	THW-120-J0	1,200 MM THROTTLE WIRE	1	OUTER 1,200	INNER +58	-----
	THW-100-J0	1,000 MM THROTTLE WIRE	1	OUTER 1,000	INNER +58	8810050
	THW-800-J0	800 MM THROTTLE WIRE	1	OUTER 800	INNER +58	-----
	THW-250-J0	250 MM THROTTLE WIRE	1	OUTER 250	INNER +58	8810272
	COM-019-0	DOUBLE HORN HANDLE	1	OPTION 19 DIA		8810090
	COM-019-1	HANDLE HOLDER ASS'Y	1	OPTION 19 DIA		8810091
	TA1-200-0	CUP WASHER (75MM)	1	OPTION	75MM DIA	8810270
	MA1-200-0	CUP WASHER (120MM)	1	OPTION	120MM DIA	8810109
	MA1-300-0	CUP WASHER (150MM)	1	OPTION	150MM DIA	-----
	KYD-003-0	FLEX. CABLE COVER 600MM	1	OPTION		-----
	KYD-004-0	FLEX. CABLE COVER 450MM	1	OPTION		-----
	KYD-005-0	FLEX. CABLE COVER 350MM	1	OPTION		-----
	MA2-101-0B	METAL F-PROTECTOR	1	ALL 4/5 CLASS	BLUE	-----
	MA2-102-0B	METAL PROTECTOR CATCHER	1	ALL 4/5 CLASS	BLUE	-----